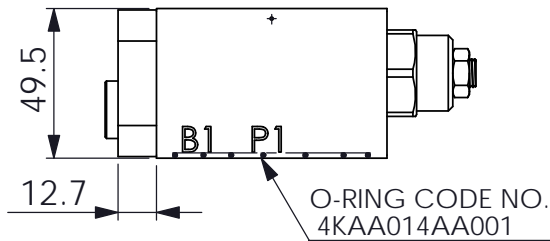
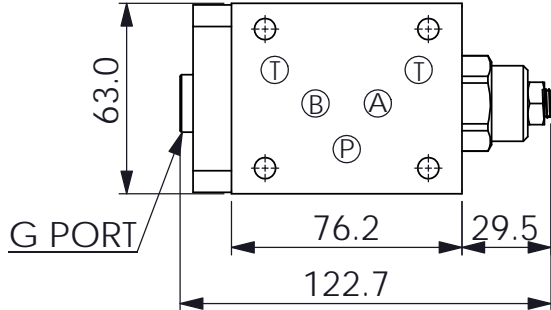
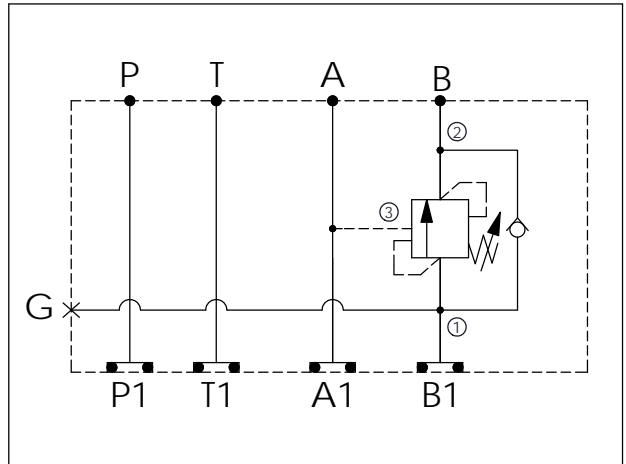


Ordering Code: <b>MH05CBW-X-Y-Z01</b>
Stack Height : 49.5mm



UNIT:mm



### TECHNICAL DATA

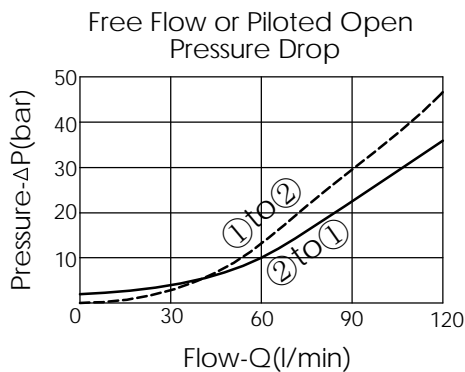
Aluminum Body Pressure Rating: 250 bar  
 Ductile Iron Body Pressure Rating: 350 bar

Rated flow: 80 l/min

Cartridge Valve:  
 Refer to CB2A-X-Y-Z  
 \* Refer to Winner Cartridge Valve Catalog.

Aluminum	0.65 kg(WITHOUT VALVE) 1.05 kg(INCLUDE VALVE)
Ductile Iron	1.65 kg(WITHOUT VALVE) 2.05 kg(INCLUDE VALVE)

\* If you need the special specification. Please contact us.



### X SELECTION FOR G PORT

<b>G02</b>	G 1/4"(Metric)	
<b>N02</b>	NPT 1/4"(U.S. Units)	

### Y SELECTION FOR B PORT CONTROL

<b>2A3</b>	CAVITY ONLY(WITHOUT VALVE)	
<b>CB3H</b>	CB2A33HL (3:1 , 280bar)	
<b>CB4J</b>	CB2A34JL (4.5:1 , 350bar)	
<b>CB0J</b>	CB2A30JL (10:1 , 350bar)	

### Z BODY MATERIAL

<b>A</b>	HIGH-STRENGTH ALUMINUM	
<b>S</b>	DUCTILE IRON	