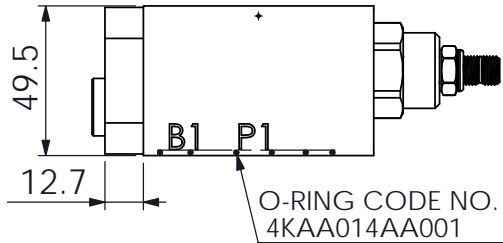
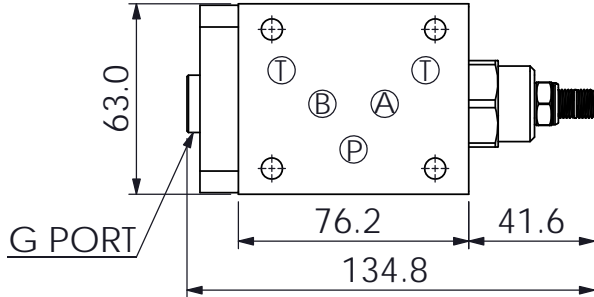


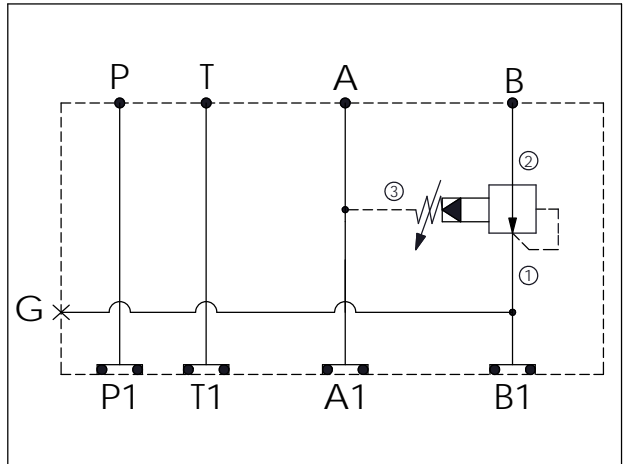
ISO 05 SANDWICH MANIFOLD

Ordering Code: **MH05CBW-X-Y-Z 01**

Stack Height : 49.5mm



UNIT:mm



TECHNICAL DATA

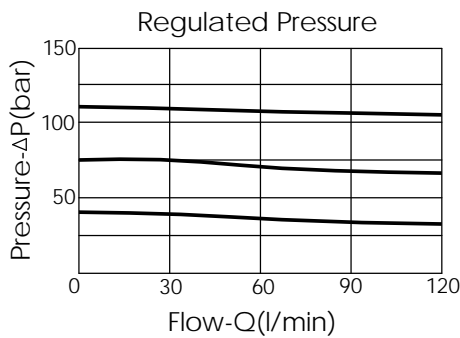
Aluminum Body Pressure Rating: 250 bar
 Ductile Iron Body Pressure Rating: 350 bar

Rated flow: 80 l/min

Cartridge Valve:
 Refer to PB2A-X-Y-Z
 * Refer to Winner Cartridge Valve Catalog.

Aluminum	0.65 kg(WITHOUT VALVE)
	0.95 kg(INCLUDE VALVE)
Ductile Iron	1.65 kg(WITHOUT VALVE)
	1.95 kg(INCLUDE VALVE)

* If you need the special specification. Please contact us.



X

SELECTION FOR G PORT

G02

G 1/4"(Metric)

N02

NPT 1/4"(U.S. Units)

Y

SELECTION FOR B PORT CONTROL

2A3

CAVITY ONLY(WITHOUT VALVE)

PB0A

PB2A30AL (80LPM , 7-210bar)

Z

BODY MATERIAL

A

HIGH-STRENGTH ALUMINUM

S

DUCTILE IRON