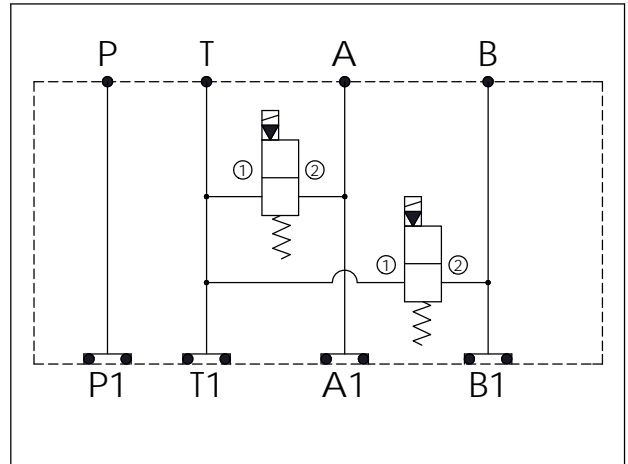


Ordering Code:	<b>MH05EDT-X-Y-Z01</b>
Stack Height :	49.5mm

UNIT:mm



### TECHNICAL DATA

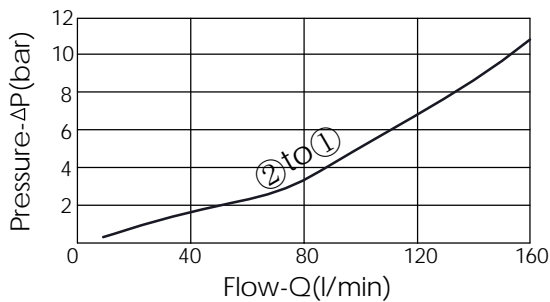
Aluminum Body Pressure Rating: 250 bar  
 Ductile Iron Body Pressure Rating: 350 bar

Rated flow: 80 l/min

Cartridge Valve:  
 Refer to EP12W-X-Y-Z  
 \* Refer to Winner Cartridge Valves Catalog.

Aluminum	0.88 kg(WITHOUT VALVES) 1.35 kg(INCLUDE VALVES ,WITHOUT COIL)
DUCTILE IRON	2.58 kg(WITHOUT VALVES) 3.05 kg(INCLUDE VALVES ,WITHOUT COIL)

\* If you need the special specification. Please contact us.



### X SELECTION FOR A PORT CONTROL (REFER TO EP12W-X-Y-Z)

<b>12W2</b>	CAVITY ONLY(WITHOUT VALVE)
<b>EP01</b>	EP12W2A01N05 , 150LPM,350bar (NORMALLY CLOSED,WITHOUT COIL)
<b>EP02</b>	EP12W2A02N05 , 150LPM,350bar (NORMALLY OPEN,WITHOUT COIL)
<b>EP01M</b>	EP12W2A01M05 , 150LPM,350bar(NORMALLY CLOSED WITH KNOB STYLE MANUAL OVERRIDE,WITHOUT COIL)
<b>EP02P</b>	EP12W2A02P05 , 150LPM,350bar(NORMALLY OPEN WITH PUSH STYLE MANUAL OVERRIDE,WITHOUT COIL)

COIL MUST BE ORDERED SEPARATELY (REFER TO EC-04W-X-Y-Z)

### Y SELECTION FOR B PORT CONTROL (REFER TO EP12W-X-Y-Z)

<b>12W2</b>	CAVITY ONLY(WITHOUT VALVE)
<b>EP01</b>	EP12W2A01N05 , 150LPM,350bar (NORMALLY CLOSED,WITHOUT COIL)
<b>EP02</b>	EP12W2A02N05 , 150LPM,350bar (NORMALLY OPEN,WITHOUT COIL)
<b>EP01M</b>	EP12W2A01M05 , 150LPM,350bar(NORMALLY CLOSED WITH KNOB STYLE MANUAL OVERRIDE,WITHOUT COIL)
<b>EP02P</b>	EP12W2A02P05 , 150LPM,350bar(NORMALLY OPEN WITH PUSH STYLE MANUAL OVERRIDE,WITHOUT COIL)

COIL MUST BE ORDERED SEPARATELY (REFER TO EC-04W-X-Y-Z)

### Z BODY MATERIAL

<b>A</b>	HIGH-STRENGTH ALUMINUM
<b>S</b>	DUCTILE IRON