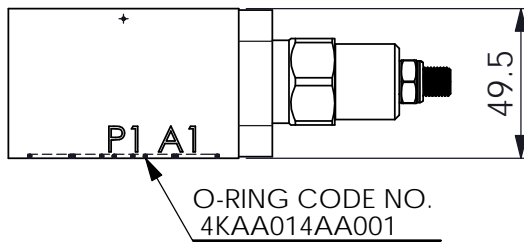
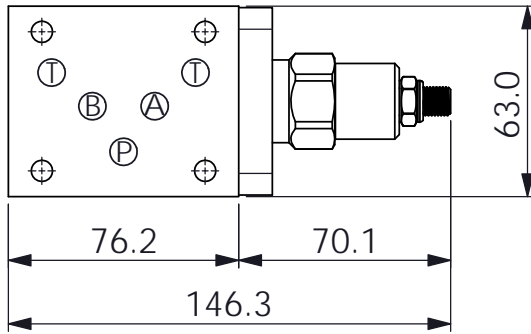


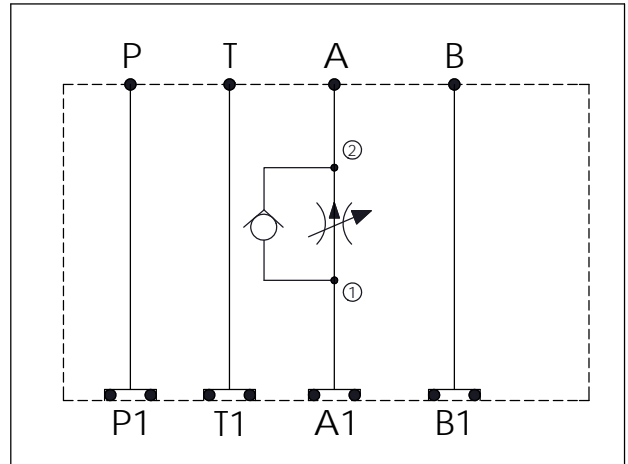
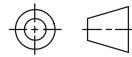
ISO 05 SANDWICH MANIFOLD

Ordering Code: **MH05FAO-X-Y-Z 01**

Stack Height : 49.5mm



UNIT:mm



TECHNICAL DATA

Aluminum Body Pressure Rating: 250 bar

Ductile Iron

Body Pressure Rating: 350 bar

Rated flow: 45 l/min
(Pressure Compensated)

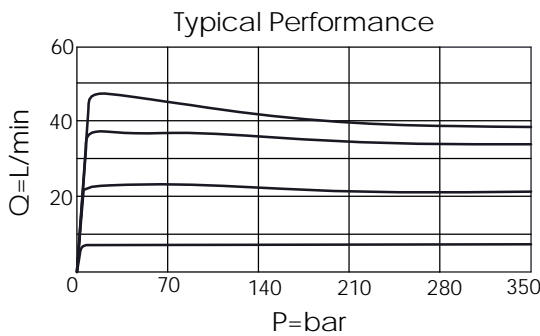
Cartridge Valve:

Refer to FR5A-X-Y-Z

* Refer to Winner Cartridge Valves Catalog.

Aluminum	0.6 kg(WITHOUT VALVE) 0.87 kg(INCLUDE VALVE)
Ductile Iron	1.76 kg(WITHOUT VALVE) 2.03 kg(INCLUDE VALVE)

* If you need the special specification.
Please contact us.



X SELECTION FOR A PORT CONTROL

5A2 CAVITY ONLY(WITHOUT VALVE)

FR0A FR5A20AL (45 LPM , 350bar)

Y SELECTION FOR B PORT CONTROL

N WITHOUT PORT

Z BODY MATERIAL

A HIGH-STRENGTH ALUMINUM

S DUCTILE IRON