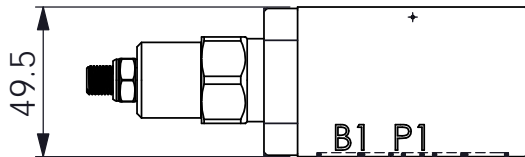
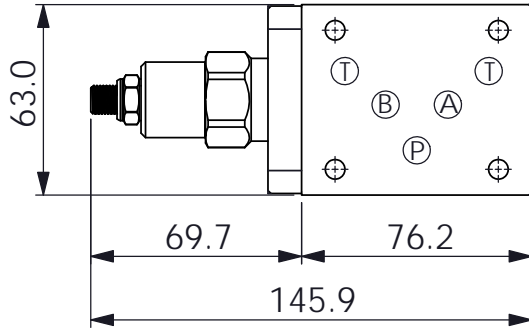


ISO 05 SANDWICH MANIFOLD

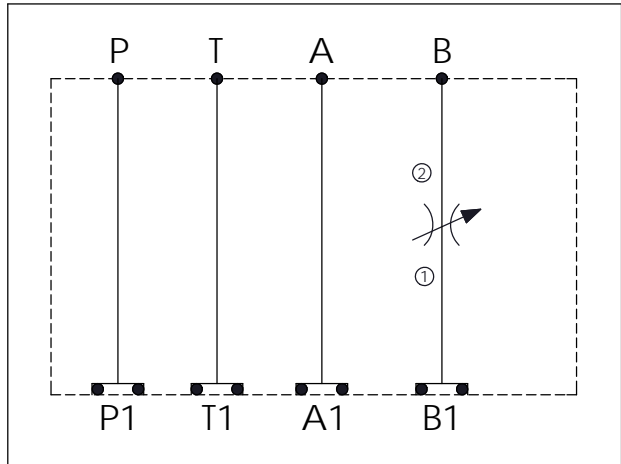
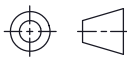
Ordering Code: **MH05FBO-X-Y-Z01**

Stack Height : 49.5mm



O-RING CODE NO. 4KAA014AA001

UNIT:mm



TECHNICAL DATA

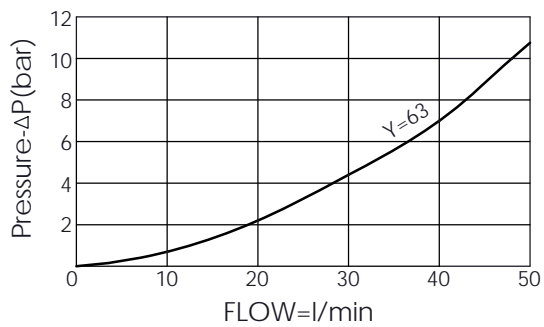
Aluminum Body Pressure Rating: 250 bar
 Ductile Iron Body Pressure Rating: 350 bar
 Rated flow: 80 l/min

Cartridge Valve:
 Refer to NV5A-X-Y-Z
 * Refer to Winner Cartridge Valves Catalog.

Aluminum	0.6 kg(WITHOUT VALVE) 0.86 kg(INCLUDE VALVE)
Ductile Iron	1.76 kg(WITHOUT VALVE) 2.03 kg(INCLUDE VALVE)

* If you need the special specification. Please contact us.

FULLY OPEN RESTRICTOR-FLOW IN BOTH DIRECTIONS



X	SELECTION FOR A PORT CONTROL	
N	WITHOUT PORT	

Y	SELECTION FOR B PORT CONTROL	
5A2	CAVITY ONLY(WITHOUT VALVE)	
NV63	NV5A2063L (350bar)	

Z	BODY MATERIAL	
A	HIGH-STRENGTH ALUMINUM	
S	DUCTILE IRON	