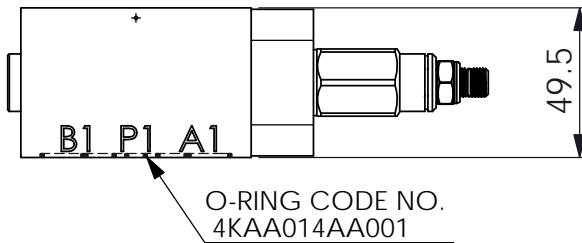
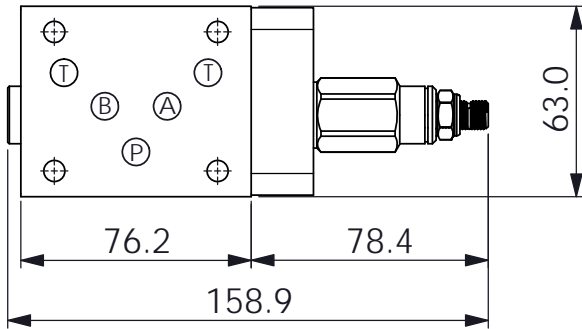
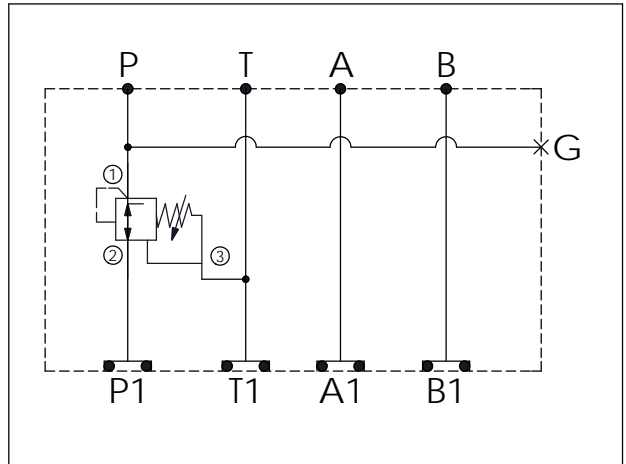


ISO 05 SANDWICH MANIFOLD

Ordering Code: MH05PPW-X-Y-Z 21
Stack Height : 49.5mm



UNIT:mm



TECHNICAL DATA

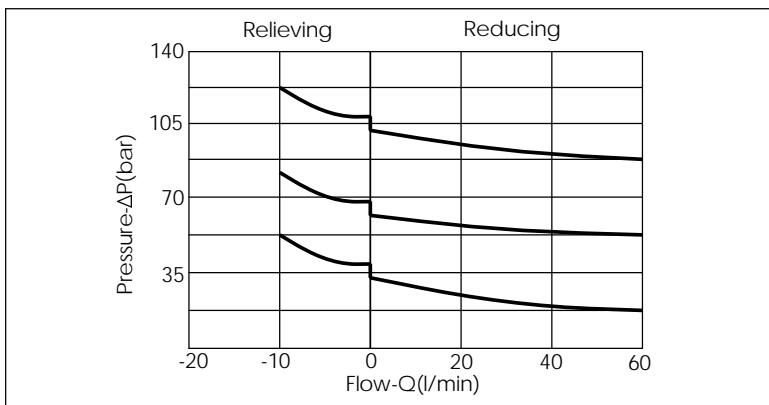
Aluminum Body Pressure Rating: 250 bar
 Ductile Iron Body Pressure Rating: 350 bar

Rated flow: 40 l/min

Cartridge Valve:
 Refer to PD11A-X-Y-Z
 * Refer to Winner Cartridge Valve Catalog.

Aluminum	0.7 kg(WITHOUT VALVE)
	0.9 kg(INCLUDE VALVE)

* If you need the special specification. Please contact us.



X	SELECTION FOR P PORT CONTROL	
11A3	CAVITY ONLY (WITHOUT VALVE)	
PD0A	PD11A30AL (40 LPM , 35-210bar)	

Y	SELECTION FOR G PORT	
G02	G 1/4"(Metric)	
N02	NPT 1/4"(U.S. Units)	

Z	BODY MATERIAL	
A	HIGH-STRENGTH ALUMINUM	