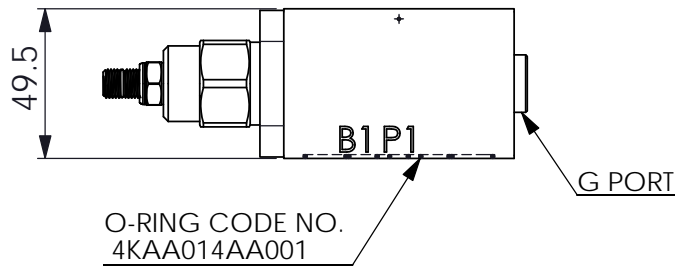
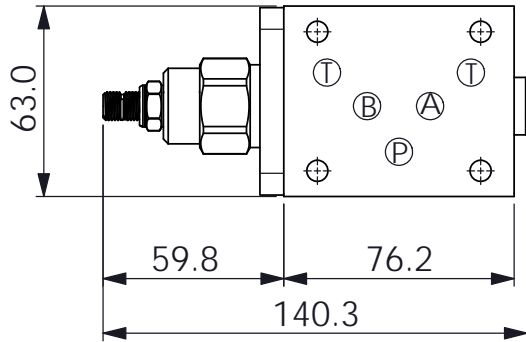
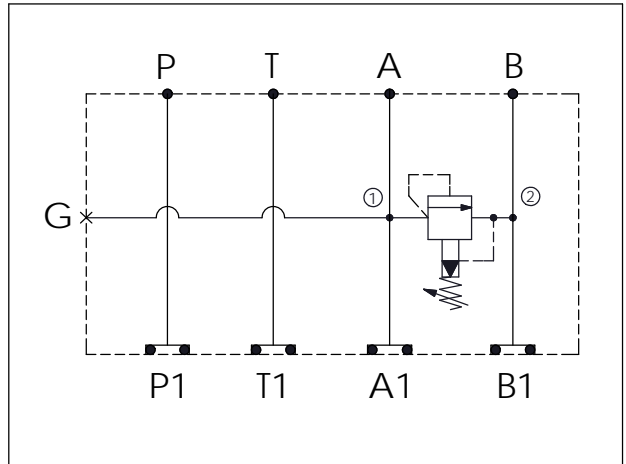
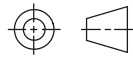


Ordering Code: **MH05RAB-X-Y-Z01**

Stack Height : 49.5mm



UNIT:mm



TECHNICAL DATA

Aluminum Body Pressure Rating: 250 bar

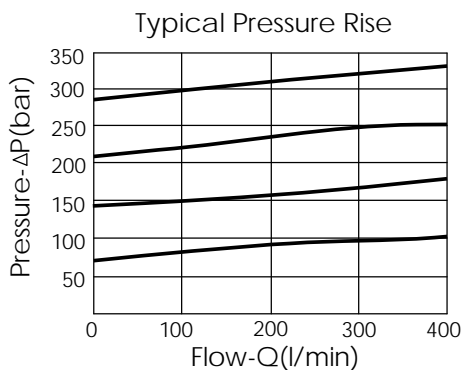
Ductile Iron
Body Pressure Rating: 350 bar

Rated flow: 80 l/min

Cartridge Valve:
Refer to RP3A-X-Y-Z
* Refer to Winner Cartridge Valves Catalog.

Aluminum	0.56 kg(WITHOUT VALVE)
	0.81 kg(INCLUDE VALVE)

* If you need the special specification.
Please contact us.



X SELECTION FOR A PORT CONTROL

3A2	CAVITY ONLY(WITHOUT VALVE)	
RP0A	RP3A20AL (200 LPM , 7-210bar)	

Y SELECTION FOR G PORT

G02	G 1/4"(Metric)	
N02	NPT 1/4"(U.S. Units)	

Z BODY MATERIAL

A	HIGH-STRENGTH ALUMINUM	